

USAGE

Your Black & Decker Vacuum Cleaner is a versatile machine that can use a wide variety of accessories for practically any type of cleaning operation. This includes the vacuuming of wet areas and the pick-up of wet materials. Accessory cleaning tools are made of durable, corrosion resistant plastic and are low in cost.

If you use the cleaner for picking up corrosive liquids such as salt water, empty and rinse out the tank immediately after use. The efficiency of the Vacuum Cleaner, in WET and DRY cleaning, is dependent on the air filtering poly foam sleeve, Figure 2. The sleeve should be kept clean by washing it in warm water with a mild detergent. Allow it to dry before using. Inspect the sleeve frequently for signs of abrasion, cuts or tears and replace it immediately if it is damaged. Failure to do so could result in damage to the motor. NEVER use the cleaner without the poly foam sleeve attached on the bag stretcher (Figure 2).

Accessory Paper Bags (No.U-1469), which are slipped over the poly foam sleeve and held in place by the elastic straps and "Z" hooks, should be used when cleaning up DRY materials. These bags will protect and keep the poly foam sleeve from clogging during dry vacuuming. Inspect the paper bag regularly, and when it becomes dirty and starts clogging up, throw the bag away and replace with a new clean one.

Before using the cleaner for WET pick-up, remove the paper bag and empty all dry materials from the tank.

For picking up ultra-fine powders, such as plaster or concrete dust, use two B&D Filter Bags Cat. No. 49521 laid over the edge of the tank and clamped in place by the lid.

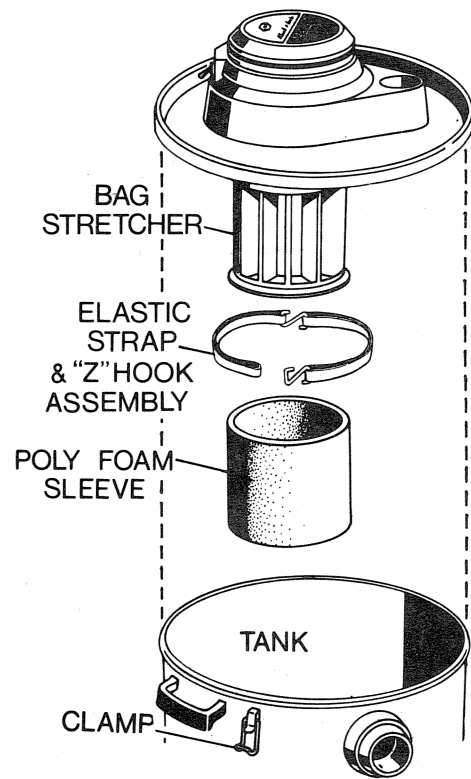


FIG. 2

AVAILABLE ACCESSORIES

Cat. No.	Item	Use
54014 54023	10 ft., 1½" diam. Flexible Plastic Hose (shown)	For use with 1½" diam. accessories
49152	Double Angle Extension Wand	For use with 1½" diam. accessories
54011 54017	6" Master Head 14" Master Head (shown)	For use with shoe accessories
54013 54018	6" Brush Shoe 14" Brush Shoe (shown)	For general dry floor cleaning
54019	14" Carpet Shoe	For cleaning carpets and rugs
54012 54020	6" Squeegee Shoe 14" Squeegee Shoe (shown)	For water pick-up
40004	Crevice Tool	For narrow and tight places
U-1469	Paper Filter Bags (Pkg. of 5)	Fits over and protects Poly Foam Sleeve
54016	Poly Foam Sleeve (Standard Equipment with Cleaner)	Primary air filter

Caution: The above accessories are recommended for use with your vacuum cleaner, the use of any other accessory might be hazardous.

SETTING UP

(Figures 3, 4)

The carton you receive includes the following:

1. Power Unit and Tank "A", completely assembled.
2. A flexible accordion-type hose "B", 1¼-inch diameter, 6 feet long.
3. A 6-inch Master Head "D".
4. 1¼-inch Crevice Tool "E".
5. A 4-wheeled Dolly.

First push the end of the hose into the intake opening.

To attach Dolly (Figure 4) to cleaner see assembly instructions packed in cleaner.

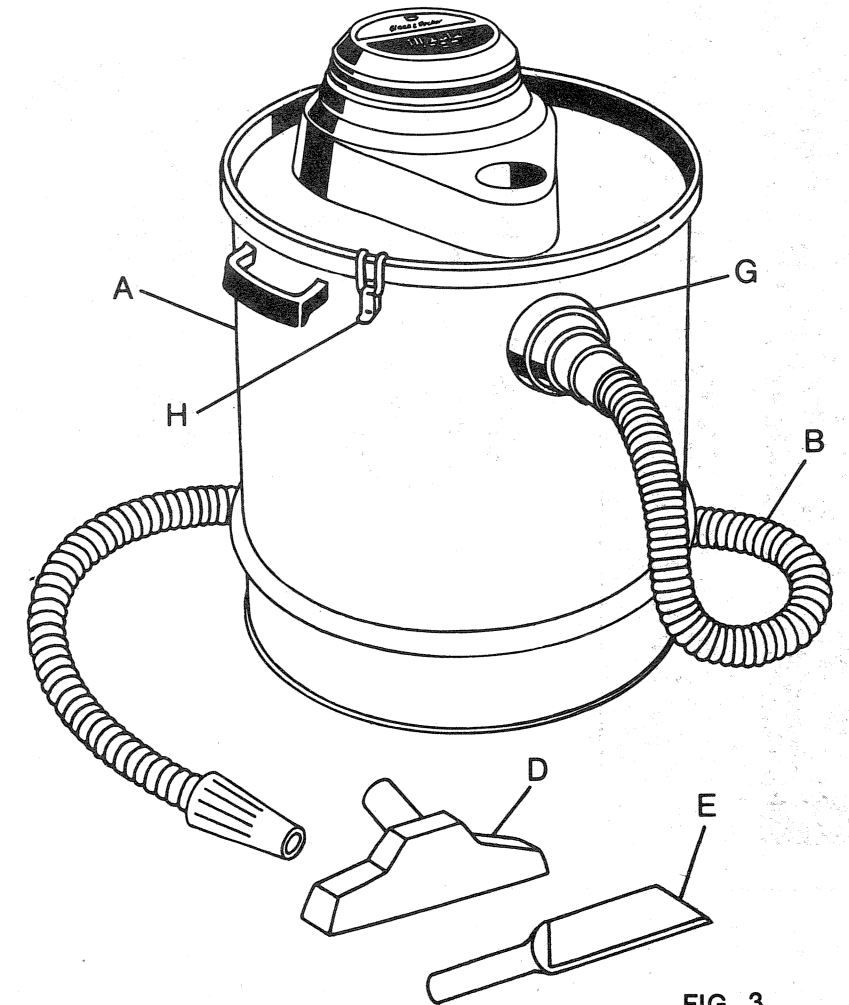


FIG. 3

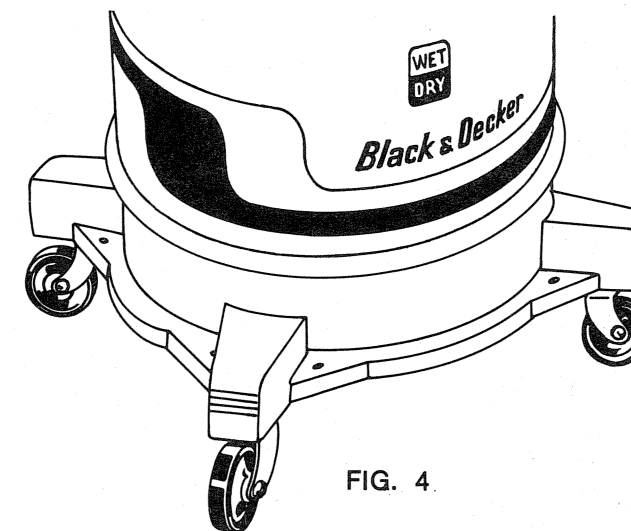


FIG. 4